

INSTRUCTIONS FOR INSTALLING YOUR WESLOCK PRODUCT

Molten Bronze/ Elegance Collection

One Piece Entry Handle Set (no grip)



PARTS INCLUDED

Do not insert key, or unlock handle before installation. Doing so may result in removal of the cylinder assembly.

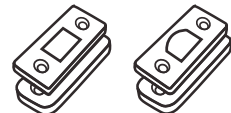
Wood Screws (x8)

For mounting strikes & faceplates.



Faceplates (x4)

For covering a mortise latch.



* For Non-Mortise applications see below parts.

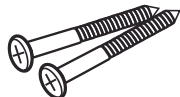
Strikes (x6)

Install on door frame.



XL 3" Wood Screws (x2)

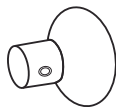
For mounting strike (optional).



SCAN THE CODE FOR INSTALLATION VIDEOS



Interior Knob or Lever



Interior Deadbolt Assembly



Deadbolt Latch

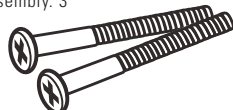
Engages strike with door closed.



* For Non-Mortise applications see below parts.

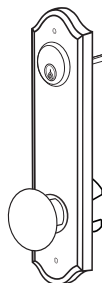
Assembly Screws (x2)

For mounting interior deadbolt assembly. 3"



Exterior Grip Assembly

Exterior handle & thumb piece.



Interior Knob/Lever Assembly

Interior knob / lever, rosette & spindle.



Thumb Press Latch

Engages strike with door closed.



* For Non-Mortise applications see below parts.

Iron Door Latch Casing



* Slide over thumbpress latch for iron door application.

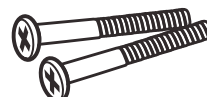
Foot Screw Cap Assembly



* Only use one (1-3/4" OR 2-1/4") screw based on thickness of door.

Assembly Screws (x2)

Pre-installed on Exterior Grip Assembly for mounting interior knob / lever assembly. 1-1/4"



Interior Escutchen Screw (x2)

For mounting interior deadbolt assembly (7/16")



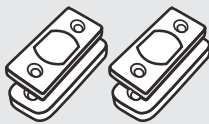
Entry Keys (x2)

For unlocking the deadbolt.

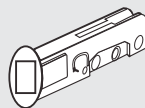


*** Non-Mortise (Drive-In) Application**

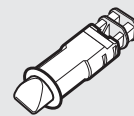
FACEPLATES (X4)



DEADBOLT LATCH



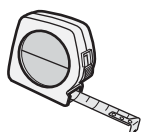
THUMB PRESS LATCH



REQUIRED TOOLS

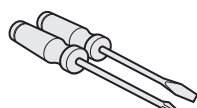
Measuring Tape

Or other measuring tool



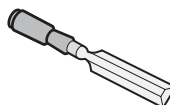
Screwdriver

Phillips and flat blade



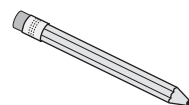
Wood Chisel

*Only if prepping a new door



Writing Utensil

*Only if prepping a new door



DOOR PREP INSTRUCTIONS 2 WESLOCK.COM

GLOSSARY OF TERMS

Technical language used in this document



MORTISE



CROSS BORE



EDGE BORE



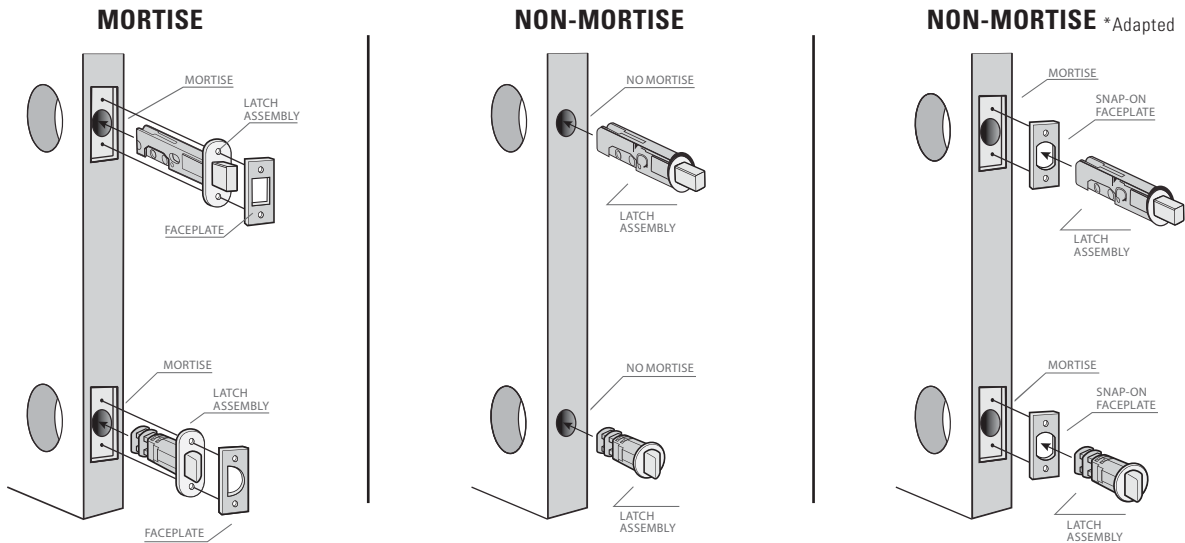
THUMB PRESS LATCH



DEADBOLT LATCH

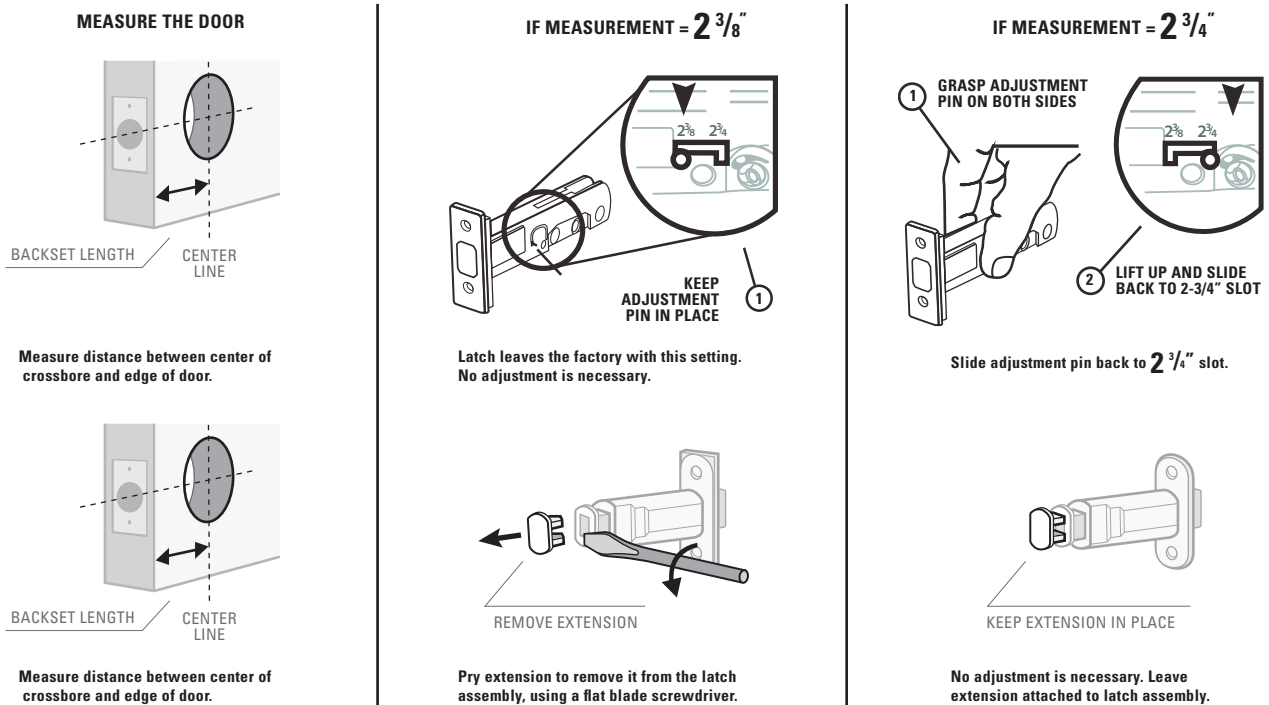
IDENTIFY THE LATCH TYPE FOR YOUR DEADBOLT AND THUMBPRESS LATCH

This will determine how you install the latch assembly in section 7.



DETERMINE THE BACKSET OF YOUR DEADBOLT LATCH AND THUMBPRESS LATCH

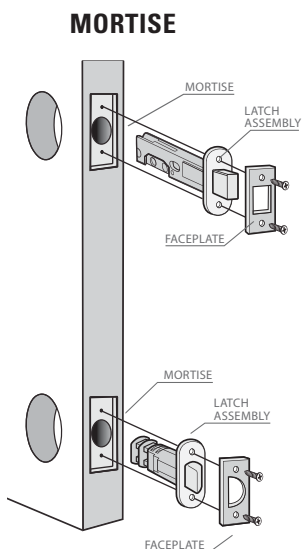
The length of your latch assembly will be determined by your backset measurement.



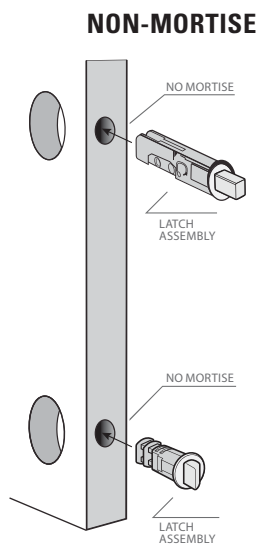
INSTALLATION

Deadbolt latch must be extended prior to installation.

7A. Insert Mortise Latches



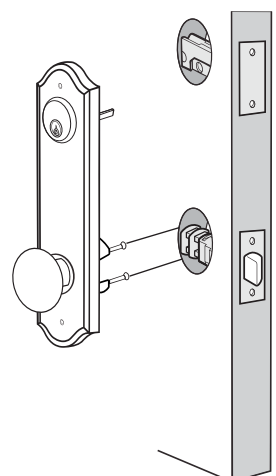
7B. Insert Non-Mortise Latches



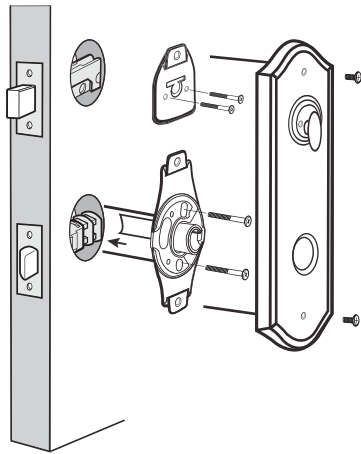
7C. Install Exterior Deadbolt and Grip Assemblies

A. Insert deadbolt tailpiece into cam in deadbolt latch.

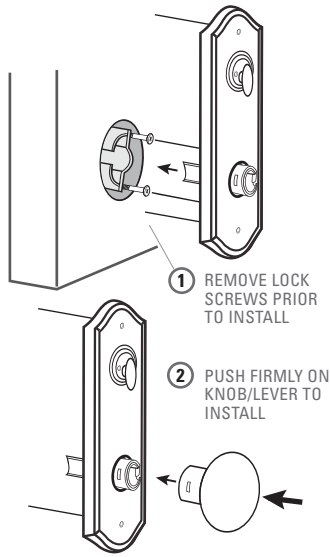
B. Align notches on grip housing with proper grooves (2-3/8 or 2-3/4) on latch. Slide on. At same time, align and insert foot screw through pre-drilled hole.



7D. Install Interior Deadbolt and Knob/Lever Assemblies

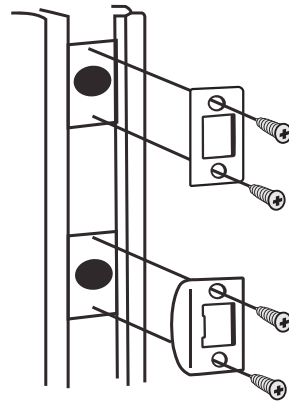


Reversible Spindle
Rotate 180 degrees for left/right handed door



* FOR SET SCREW APPLICATION INSTALL OVER SET SCREW AND BACK SET SCREW INTO LEVER TO MAKE TIGHT

7E. Install Strikes



THANKS FOR CHOOSING US. WE HOPE YOU ENJOY YOUR NEW WESLOCK DOOR HANDLE.

WESLOCK WARRANTY INFORMATION

WESLOCK warrants to the purchaser that the products shall be free from defects in material workmanship for the LIFETIME of the product. Provided the product was purchased from an authorized WESLOCK dealer, Weslock's sole obligation under this warranty shall be to repair or replace product which WESLOCK determines to be defective. After such product is returned to WESLOCK by the purchaser with proof of purchase and with shipping charges prepaid, will this warranty be honored. Homeowner - if the product was installed as original equipment on a new home, you must provide the name of the builder, the date the home was built and your move-in date. If a mechanical defect has occurred, it is your right by this warranty to contact Customer Service in Tulsa, Oklahoma at (800) 575-2658 to arrange the return of the lock. This warranty DOES NOT cover products which malfunction due to improper installation or misuse. **Please register your product at Weslock.com.**

WARRANTY TERMS

FINISH

MECHANICAL

Molten Bronze/ Elegance Collection

Limited Lifetime

Limited Lifetime

ADDITIONAL CUSTOMER RESOURCES

Online

WEBSITE

For our full product catalog, and video instructions, go to;

www.weslock.com

TWITTER

To learn about promotions, and other news, follow us at;

twitter.com/Weslock1

YOUTUBE

Browse our video library, or leave us comments at;

youtube.com/WeslockDoorHardware

FACEBOOK

See what we're up to, or ask us a question at;

facebook.com/WeslockDoorHardware

Direct

PHONE NUMBER

1-800-575-2658
BOLT

FAX NUMBER

1-918-294-3869

EMAIL

customerservice@weslock.com
or
warranty@weslock.com